

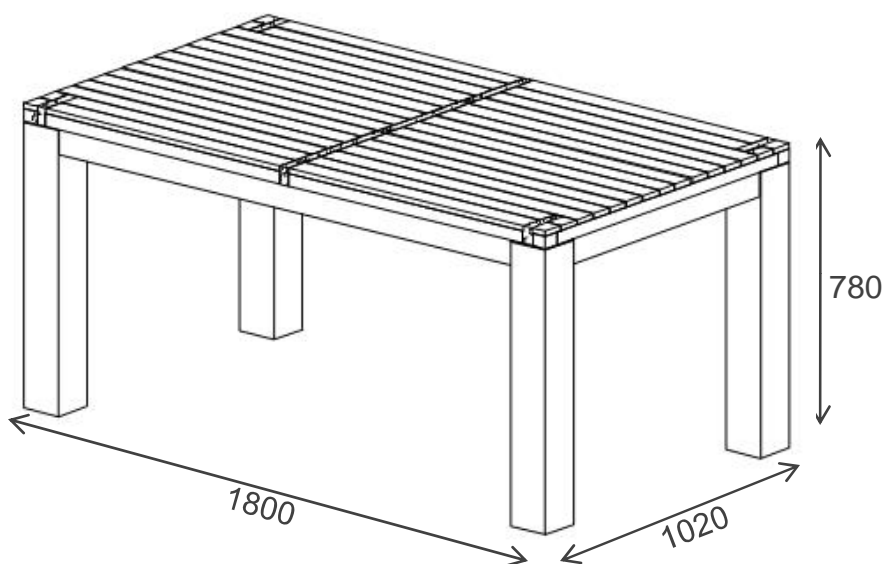


ASSEMBLY INSTRUCTION
SHADOW2 1800 RECTANGULAR OUTDOOR
TABLE

ITEM CODE: 51381

Imported by Amart Furniture Pty Ltd, Qld, Brisbane Australia.

For any assistance with assembly or for missing parts please phone Amart Furniture, Customer Service Free call 1800 009 466





Imported by Amart Furniture Pty Ltd, Qld, Brisbane Australia.

For any assistance with assembly or for missing parts please phone Amart Furniture, Customer Service Free call 1800 009 466

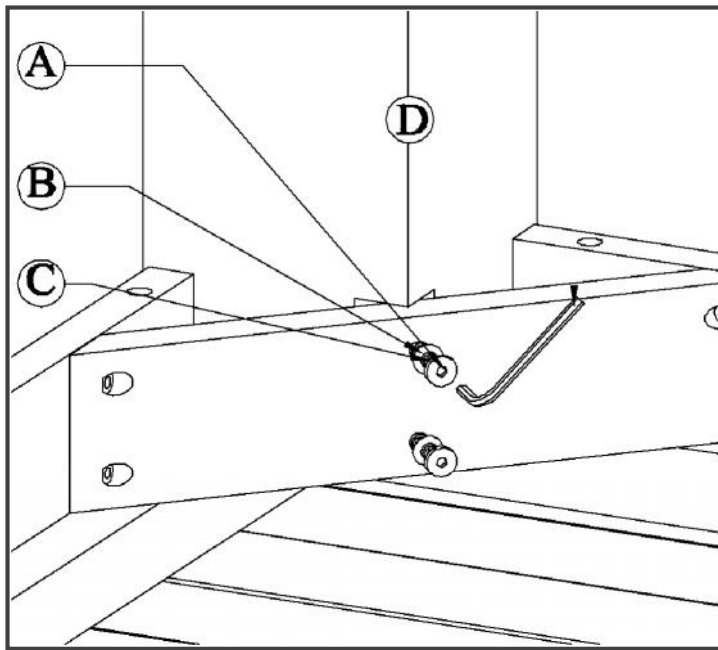
PRE-ASSEMBLY PREPARATION

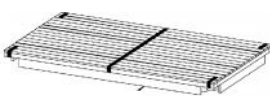
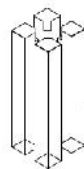
Before you start:

1. Choose a clean, level, spacious assembly area. Avoid hard surfaces that may damage the product
2. Take care when lifting. Product should be assembled as near as possible to the point of use
3. Ensure that you have all required contents for complete assembly
4. Always read the assembly instructions carefully before beginning assembly.
5. Keep all hardware parts and packaging out of reach of small children.
6. Do not over tighten the screws and bolts as this may damage the threads

	
ALLOW 15 MINUTES	PEOPLE REQUIRED
ADDITIONAL TOOLS REQUIRED	

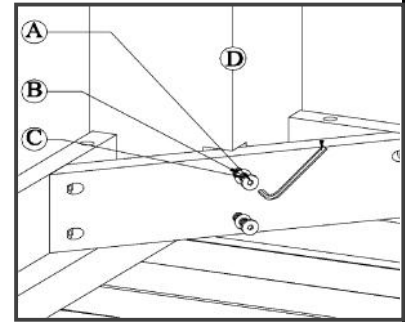
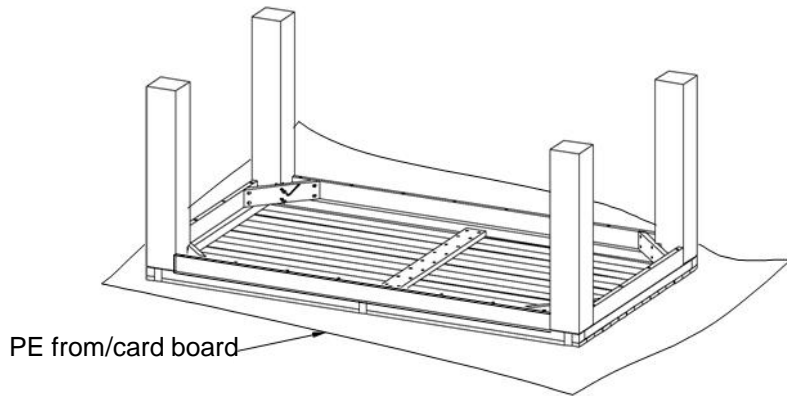
PARTS LIST



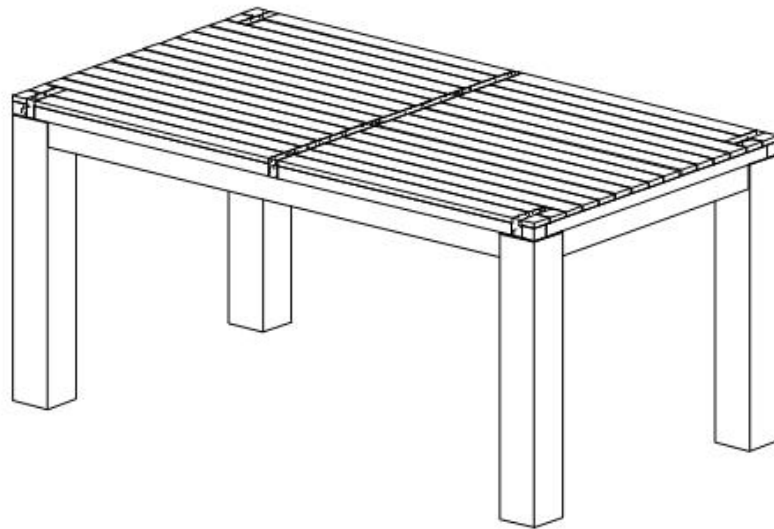
No	COMPONENT PARTS	Qty
1	Table Top 	1pc
2	Legs 	4pc

No	HARDWARE LIST		Qty
A		Bolts M8x60mm	8pcs
B		Washer Ø16x1mm	8pcs
C		Spring washer Ø12x1.5mm	8pcs
D		Allen key	1pc

Step 1: Carefully turn the table top upside down. Attach table top and legs as shown in diagram using bolts (A) and washers (B&C). Tighten using the allen key (D) provided.
Step 2: Using two people carefully turn the table upright.



ASSEMBLY IS COMPLETE



IMPORTANT: CARE GUIDE FOR YOUR TIMBER FURNITURE

Congratulations! You have just purchased a quality product from Amart furniture.

Please read on for important information regarding your purchase...

A multi-step finish is applied to all our furniture, but all wood comes from nature. Because of this, there will be natural variations in surface texture and grain like knots, mineral streaks and sap runs that may affect the finish.

These differences in character are not defects, but distinctions that make each piece of furniture unique.

Our furniture is built to last. Following these steps for basic care should protect your investment for years to come.

TIMBERS:

- Prolonged exposure of timber items to the elements may cause premature deterioration
- Regular vacuuming and dusting of items is recommended
- Timber requires regular maintenance and upkeep. Please use the appropriate product to maintain your product (oil\wax), if you are unsure of which product is suitable – please contact the store that you purchased from
- Minor cracking of timber is a natural process and will not compromise the strength of the timber
- To extend the life of your product the use of an Amart approved Outdoor Furniture Cover is highly recommended. Please contact store of purchase for further details

